



MANIGLIE METALLICHE ***METALLIC HANDLES*** **POIGNEES METALLIQUES**





GA/B

Maniglia a ripresa Adjustable clamping lever

Manette débrayable

NEW

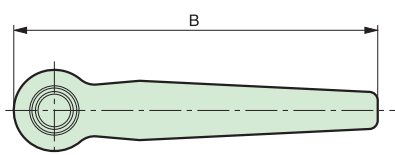
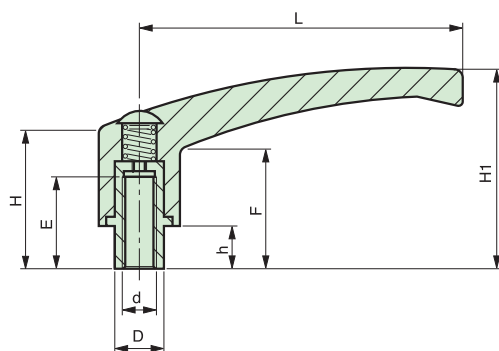


Corpo dentato in acciaio nero. Leva in lega di zinco, nera.
Steel black insert. Cast zinc control lever, black.
Insert en acier noirci. Manette en font de zinc, noire.

| cod. | modello | D | H1 | H | h | F | L | B | d | E | peso gr. |
|---------|---------------|------|----|----|----|----|----|-----|-----|----|-------------|
| 7745005 | GA44/B | 9,5 | 36 | 23 | 5 | 21 | 44 | 52 | M4 | 8 | 33 |
| 7745010 | GA44/B | 9,5 | 36 | 23 | 5 | 21 | 44 | 52 | M5 | 8 | 35 |
| 7745015 | GA44/B | 9,5 | 36 | 23 | 5 | 21 | 44 | 52 | M6 | 8 | 34 |
| 7745025 | GA65/B | 11,5 | 47 | 33 | 10 | 28 | 65 | 75 | M6 | 11 | 72 |
| 7745030 | GA65/B | 11,5 | 47 | 33 | 10 | 28 | 65 | 75 | M8 | 11 | 70 |
| 7745040 | GA80/B | 19 | 62 | 41 | 12 | 37 | 80 | 94 | M10 | 18 | 167 |
| 7745045 | GA80/B | 19 | 62 | 41 | 12 | 37 | 80 | 94 | M12 | 18 | 161 |
| 7745055 | GA94/B | 23 | 67 | 48 | 12 | 44 | 94 | 109 | M12 | 24 | - |
| 7745060 | GA94/B | 23 | 67 | 48 | 12 | 44 | 94 | 109 | M14 | 24 | - |
| 7745065 | GA94/B | 23 | 67 | 48 | 12 | 44 | 94 | 109 | M16 | 24 | - |

NOTE: Leva verniciata.
Varnishing control lever.
Manette verni.

A richiesta: Leva cromata; colori diversi; inserti a misura.
On request: Chrome plated covering; various colours; special insert, hole.
Sur demande: Revêtement chromé; différentes couleurs; taraudages speciaux.



MISURE NON IMPEGNATIVE

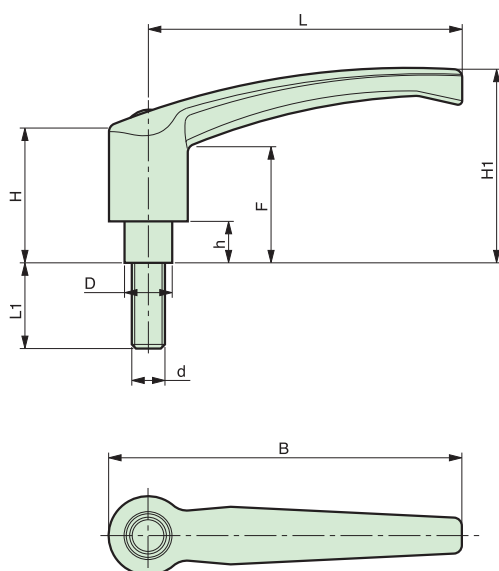


GA/P

Maniglia a ripresa Adjustable clamping lever

Manette débrayable

NEW



Corpo dentato in acciaio nero. Leva in lega di zinco, nera.
Steel black insert. Cast zinc control lever, black.
Insert en acier noirci. Manette en font de zinc, noire.

| cod. | modello | D | H1 | H | h | F | L | B | d | L1 | peso gr. |
|---------|---------|------|----|----|----|----|----|-----|-----|----|----------|
| 7746005 | GA44/P | 9,5 | 36 | 23 | 5 | 21 | 44 | 52 | M4 | 20 | 37 |
| 7746030 | GA44/P | 9,5 | 36 | 23 | 5 | 21 | 44 | 52 | M5 | 30 | 40 |
| 7746050 | GA44/P | 9,5 | 36 | 23 | 5 | 21 | 44 | 52 | M6 | 20 | 40 |
| 7746060 | GA44/P | 9,5 | 36 | 23 | 5 | 21 | 44 | 52 | M6 | 30 | 41,5 |
| 7746100 | GA44/P | 9,5 | 36 | 23 | 5 | 21 | 44 | 52 | M8 | 20 | 41 |
| 7746110 | GA44/P | 9,5 | 36 | 23 | 5 | 21 | 44 | 52 | M8 | 30 | 43 |
| 7746130 | GA65/P | 11,5 | 47 | 33 | 10 | 28 | 65 | 75 | M6 | 20 | 78 |
| 7746140 | GA65/P | 11,5 | 47 | 33 | 10 | 28 | 65 | 75 | M6 | 30 | 80 |
| 7746180 | GA65/P | 11,5 | 47 | 33 | 10 | 28 | 65 | 75 | M8 | 20 | 81 |
| 7746190 | GA65/P | 11,5 | 47 | 33 | 10 | 28 | 65 | 75 | M8 | 30 | 84 |
| 7746200 | GA65/P | 11,5 | 47 | 33 | 10 | 28 | 65 | 75 | M8 | 40 | 87 |
| 7746210 | GA65/P | 11,5 | 47 | 33 | 10 | 28 | 65 | 75 | M8 | 50 | 90 |
| 7746250 | GA65/P | 11,5 | 47 | 33 | 10 | 28 | 65 | 75 | M10 | 30 | 90 |
| 7746260 | GA65/P | 11,5 | 47 | 33 | 10 | 28 | 65 | 75 | M10 | 40 | 95 |
| 7746300 | GA80/P | 19 | 62 | 41 | 12 | 37 | 80 | 94 | M10 | 20 | 189 |
| 7746310 | GA80/P | 19 | 62 | 41 | 12 | 37 | 80 | 94 | M10 | 30 | 195 |
| 7746320 | GA80/P | 19 | 62 | 41 | 12 | 37 | 80 | 94 | M10 | 40 | 198 |
| 7746330 | GA80/P | 19 | 62 | 41 | 12 | 37 | 80 | 94 | M10 | 50 | 204 |
| 7746340 | GA80/P | 19 | 62 | 41 | 12 | 37 | 80 | 94 | M10 | 60 | 210 |
| 7746370 | GA80/P | 19 | 62 | 41 | 12 | 37 | 80 | 94 | M12 | 30 | 201 |
| 7746380 | GA80/P | 19 | 62 | 41 | 12 | 37 | 80 | 94 | M12 | 40 | 208 |
| 7746390 | GA80/P | 19 | 62 | 41 | 12 | 37 | 80 | 94 | M12 | 50 | 215 |
| 7746400 | GA80/P | 19 | 62 | 41 | 12 | 37 | 80 | 94 | M12 | 60 | 222 |
| 7746430 | GA80/P | 19 | 62 | 41 | 12 | 37 | 80 | 94 | M14 | 30 | 210 |
| 7746440 | GA80/P | 19 | 62 | 41 | 12 | 37 | 80 | 94 | M14 | 40 | 218 |
| 7746450 | GA80/P | 19 | 62 | 41 | 12 | 37 | 80 | 94 | M14 | 50 | 228 |
| 7746460 | GA80/P | 19 | 62 | 41 | 12 | 37 | 80 | 94 | M14 | 60 | 238 |
| 7746510 | GA94/P | 23 | 67 | 48 | 12 | 44 | 94 | 109 | M12 | 40 | - |
| 7746520 | GA94/P | 23 | 67 | 48 | 12 | 44 | 94 | 109 | M12 | 50 | - |
| 7746530 | GA94/P | 23 | 67 | 48 | 12 | 44 | 94 | 109 | M12 | 60 | - |
| 7746560 | GA94/P | 23 | 67 | 48 | 12 | 44 | 94 | 109 | M14 | 30 | - |
| 7746570 | GA94/P | 23 | 67 | 48 | 12 | 44 | 94 | 109 | M14 | 40 | - |
| 7746580 | GA94/P | 23 | 67 | 48 | 12 | 44 | 94 | 109 | M14 | 50 | - |
| 7746590 | GA94/P | 23 | 67 | 48 | 12 | 44 | 94 | 109 | M14 | 60 | - |
| 7746620 | GA94/P | 23 | 67 | 48 | 12 | 44 | 94 | 109 | M16 | 30 | - |
| 7746630 | GA94/P | 23 | 67 | 48 | 12 | 44 | 94 | 109 | M16 | 40 | - |
| 7746640 | GA94/P | 23 | 67 | 48 | 12 | 44 | 94 | 109 | M16 | 50 | - |
| 7746650 | GA94/P | 23 | 67 | 48 | 12 | 44 | 94 | 109 | M16 | 60 | - |

NOTE: Leva verniciata.
Varnishing control lever.
Manette verni.

A richiesta: Leva cromata; colori diversi; inserti a misura.
On request: Chrome plated covering; various colours; special insert, stud.
Sur demande: Revêtement chromé; différentes couleurs; filetages spéciaux.

MISURE NON IMPEGNATIVE



NM/B

Maniglia a ripresa Adjustable clamping lever

Manette débrayable

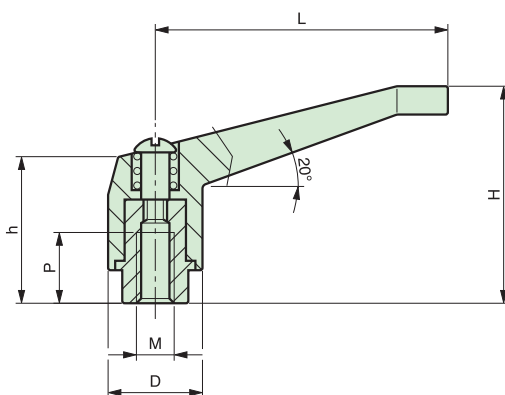


Corpo dentato in acciaio nero. Leva in lega di zinco, nera.
Steel black insert. Cast zinc control lever, black.
Insert en acier noirci. Manette en font de zinc, noire.

| cod. | modello | D | H | h | L | M | P | peso gr. |
|---------|----------------|----|----|----|-----|-----|----|-------------|
| 7740005 | NM40/B | 16 | 29 | 24 | 40 | M4 | 10 | 35 |
| 7740010 | NM40/B | 16 | 29 | 24 | 40 | M5 | 10 | 35 |
| 7740015 | NM40/B | 16 | 29 | 24 | 40 | M6 | 10 | 35 |
| 7740025 | NM63/B | 19 | 47 | 33 | 63 | M6 | 13 | 65 |
| 7740030 | NM63/B | 19 | 47 | 33 | 63 | M8 | 13 | 65 |
| 7740040 | NM81/B | 25 | 65 | 43 | 81 | M10 | 19 | 170 |
| 7740045 | NM81/B | 25 | 65 | 43 | 81 | M12 | 19 | 170 |
| 7740055 | NM106/B | 32 | 74 | 53 | 106 | M12 | 24 | 300 |
| 7740065 | NM106/B | 32 | 74 | 53 | 106 | M14 | 24 | 300 |
| 7740075 | NM106/B | 32 | 74 | 53 | 106 | M16 | 24 | 300 |

NOTE: Leva verniciata.
Varnishing control lever.
Manette verni.

A richiesta: Leva cromata; colori diversi; inserti a misura.
On request: Chrome plated covering; various colours; special insert, hole.
Sur demande: Revêtement chromé; différentes couleurs; taraudages speciaux.



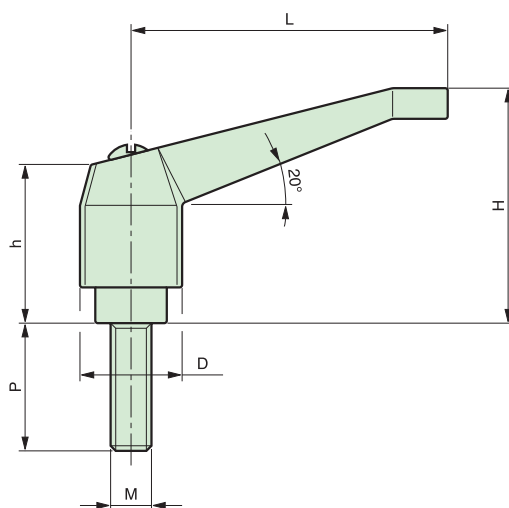
MISURE NON IMPEGNATIVE



NM/P

Maniglia a ripresa Adjustable clamping lever

Manette débrayable



Corpo dentato in acciaio nero. Leva in lega di zinco, nera.
Steel black insert. Cast zinc control lever, black.
Insert en acier noirci. Manette en font de zinc, noire.

| cod. | modello | D | H | h | L | M | P | peso gr. |
|---------|---------|----|----|----|-----|-----|----|----------|
| 7741005 | NM40/P | 16 | 29 | 24 | 40 | M5 | 20 | 35 |
| 7741015 | NM40/P | 16 | 29 | 24 | 40 | M5 | 30 | 35 |
| 7741025 | NM40/P | 16 | 29 | 24 | 40 | M6 | 20 | 35 |
| 7741035 | NM40/P | 16 | 29 | 24 | 40 | M6 | 30 | 35 |
| 7741045 | NM63/P | 19 | 47 | 33 | 63 | M6 | 20 | 65 |
| 7741055 | NM63/P | 19 | 47 | 33 | 63 | M6 | 30 | 65 |
| 7741065 | NM63/P | 19 | 47 | 33 | 63 | M8 | 20 | 65 |
| 7741075 | NM63/P | 19 | 47 | 33 | 63 | M8 | 30 | 65 |
| 7741085 | NM63/P | 19 | 47 | 33 | 63 | M8 | 40 | 65 |
| 7741095 | NM63/P | 19 | 47 | 33 | 63 | M8 | 50 | 65 |
| 7741105 | NM81/P | 25 | 65 | 43 | 81 | M10 | 20 | 170 |
| 7741115 | NM81/P | 25 | 65 | 43 | 81 | M10 | 30 | 170 |
| 7741125 | NM81/P | 25 | 65 | 43 | 81 | M10 | 40 | 170 |
| 7741135 | NM81/P | 25 | 65 | 43 | 81 | M10 | 50 | 170 |
| 7741145 | NM81/P | 25 | 65 | 43 | 81 | M10 | 60 | 170 |
| 7741155 | NM81/P | 25 | 65 | 43 | 81 | M12 | 20 | 170 |
| 7741165 | NM81/P | 25 | 65 | 43 | 81 | M12 | 30 | 170 |
| 7741175 | NM81/P | 25 | 65 | 43 | 81 | M12 | 40 | 170 |
| 7741185 | NM81/P | 25 | 65 | 43 | 81 | M12 | 50 | 170 |
| 7741195 | NM81/P | 25 | 65 | 43 | 81 | M12 | 60 | 170 |
| 7741205 | NM106/P | 32 | 74 | 53 | 106 | M14 | 30 | 300 |
| 7741215 | NM106/P | 32 | 74 | 53 | 106 | M14 | 40 | 300 |
| 7741225 | NM106/P | 32 | 74 | 53 | 106 | M14 | 50 | 300 |
| 7741235 | NM106/P | 32 | 74 | 53 | 106 | M14 | 60 | 300 |
| 7741245 | NM106/P | 32 | 74 | 53 | 106 | M16 | 30 | 300 |
| 7741255 | NM106/P | 32 | 74 | 53 | 106 | M16 | 40 | 300 |
| 7741265 | NM106/P | 32 | 74 | 53 | 106 | M16 | 50 | 300 |
| 7741275 | NM106/P | 32 | 74 | 53 | 106 | M16 | 60 | 300 |

NOTE: Leva verniciata.
Varnishing control lever.
Manette verni.

A richiesta: Leva cromata; colori diversi; inserti a misura.

On request: Chrome plated covering; various colours; special insert, stud.

Sur demande: Revêtement chromé; différentes couleurs; filetages alesages speciaux.

MISURE NON IMPEGNATIVE



J/B

Maniglia a ripresa Adjustable clamping lever

Manette débrayable

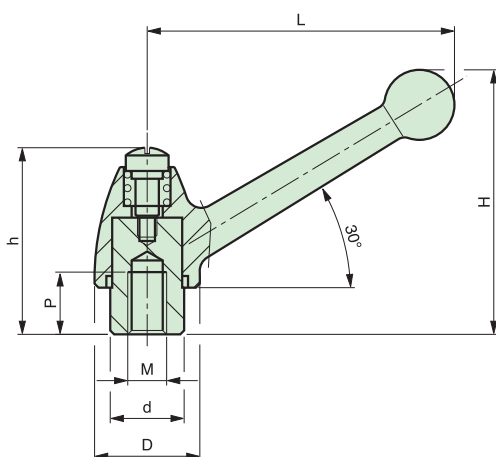


Corpo dentato in acciaio nero. Leva in lega di zinco, nera.
Steel black insert. Cast zinc control lever, black.
Insert en acier noirci. Manette en font de zinc, noire.

| cod. | modello | D | d | H | h | L | M | P | peso gr. |
|---------|--------------|----|----|----|----|-----|-----|----|-------------|
| 7716005 | J39/B | 16 | 10 | 34 | 26 | 40 | M4 | 9 | 25 |
| 7716010 | J39/B | 16 | 10 | 34 | 26 | 40 | M5 | 9 | 25 |
| 7716020 | J59/B | 19 | 12 | 54 | 34 | 59 | M6 | 13 | 60 |
| 7716025 | J59/B | 19 | 12 | 54 | 34 | 59 | M8 | 13 | 60 |
| 7716035 | J79/B | 27 | 19 | 69 | 48 | 79 | M10 | 17 | 150 |
| 7716040 | J79/B | 27 | 19 | 69 | 48 | 79 | M12 | 17 | 150 |
| 7716050 | J96/B | 32 | 23 | 78 | 56 | 101 | M14 | 23 | 250 |
| 7716055 | J96/B | 32 | 23 | 78 | 56 | 101 | M16 | 23 | 250 |

NOTE: Leva verniciata.
Varnishing control lever.
Manette verni.

A richiesta: Leva cromata; colori diversi; inserti a misura.
On request: Chrome plated covering; various colours; special insert, hole.
Sur demande: Revêtement chromé; différentes couleurs; taraudages speciaux.



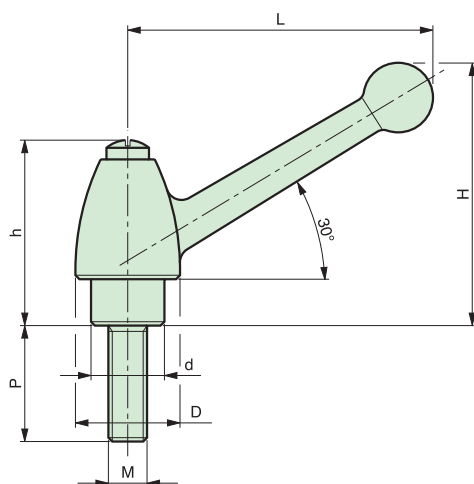
MISURE NON IMPEGNATIVE



J/P

Maniglia a ripresa Adjustable clamping lever

Manette débrayable



Corpo dentato in acciaio nero. Leva in lega di zinco, nera.
Steel black insert. Cast zinc control lever, black.
Insert en acier noirci. Manette en font de zinc, noire.

| cod. | modello | D | d | H | h | L | M | P | peso gr. |
|---------|---------|----|----|----|----|-----|-----|----|-------------|
| 7717005 | J39/P | 16 | 10 | 34 | 26 | 40 | M4 | 20 | 25 |
| 7717015 | J39/P | 16 | 10 | 34 | 26 | 40 | M5 | 20 | 25 |
| 7717025 | J39/P | 16 | 10 | 34 | 26 | 40 | M5 | 30 | 25 |
| 7717040 | J59/P | 19 | 12 | 54 | 34 | 59 | M6 | 20 | 60 |
| 7717045 | J59/P | 19 | 12 | 54 | 34 | 59 | M6 | 25 | 60 |
| 7717050 | J59/P | 19 | 12 | 54 | 34 | 59 | M6 | 30 | 60 |
| 7717060 | J59/P | 19 | 12 | 54 | 34 | 59 | M6 | 40 | 60 |
| 7717070 | J59/P | 19 | 12 | 54 | 34 | 59 | M6 | 50 | 60 |
| 7717085 | J59/P | 19 | 12 | 54 | 34 | 59 | M8 | 20 | 60 |
| 7717090 | J59/P | 19 | 12 | 54 | 34 | 59 | M8 | 25 | 60 |
| 7717095 | J59/P | 19 | 12 | 54 | 34 | 59 | M8 | 30 | 60 |
| 7717105 | J59/P | 19 | 12 | 54 | 34 | 59 | M8 | 40 | 60 |
| 7717115 | J59/P | 19 | 12 | 54 | 34 | 59 | M8 | 50 | 60 |
| 7717125 | J79/P | 27 | 19 | 69 | 48 | 79 | M10 | 20 | 150 |
| 7717135 | J79/P | 27 | 19 | 69 | 48 | 79 | M10 | 30 | 150 |
| 7717145 | J79/P | 27 | 19 | 69 | 48 | 79 | M10 | 40 | 150 |
| 7717155 | J79/P | 27 | 19 | 69 | 48 | 79 | M10 | 50 | 150 |
| 7717165 | J79/P | 27 | 19 | 69 | 48 | 79 | M10 | 60 | 150 |
| 7717175 | J79/P | 27 | 19 | 69 | 48 | 79 | M12 | 20 | 150 |
| 7717185 | J79/P | 27 | 19 | 69 | 48 | 79 | M12 | 30 | 150 |
| 7717195 | J79/P | 27 | 19 | 69 | 48 | 79 | M12 | 40 | 150 |
| 7717205 | J79/P | 27 | 19 | 69 | 48 | 79 | M12 | 50 | 150 |
| 7717215 | J79/P | 27 | 19 | 69 | 48 | 79 | M12 | 60 | 150 |
| 7717230 | J96/P | 32 | 23 | 78 | 56 | 101 | M14 | 30 | 250 |
| 7717240 | J96/P | 32 | 23 | 78 | 56 | 101 | M14 | 40 | 250 |
| 7717250 | J96/P | 32 | 23 | 78 | 56 | 101 | M14 | 50 | 250 |
| 7717260 | J96/P | 32 | 23 | 78 | 56 | 101 | M14 | 60 | 250 |
| 7717270 | J96/P | 32 | 23 | 78 | 56 | 101 | M16 | 30 | 250 |
| 7717280 | J96/P | 32 | 23 | 78 | 56 | 101 | M16 | 40 | 250 |
| 7717290 | J96/P | 32 | 23 | 78 | 56 | 101 | M16 | 50 | 250 |
| 7717300 | J96/P | 32 | 23 | 78 | 56 | 101 | M16 | 60 | 250 |
| 7717310 | J96/P | 32 | 23 | 78 | 56 | 101 | M16 | 80 | 260 |

NOTE: Leva verniciata.
Varnishing control lever.
Manette verni.

A richiesta: Leva cromata; colori diversi; inserti a misura.
On request: Chrome plated covering; various colours; special insert, stud.
Sur demande: Revêtement chromé; différentes couleurs; filetages speciaux.

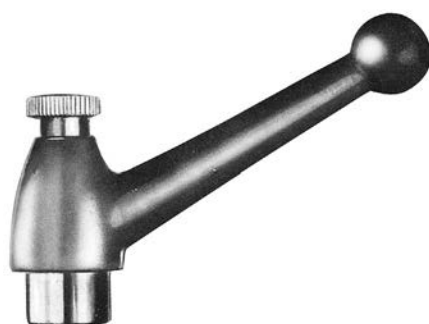
MISURE NON IMPEGNATIVE



WZ/B

Maniglia a ripresa Adjustable clamping lever

Manette débrayable

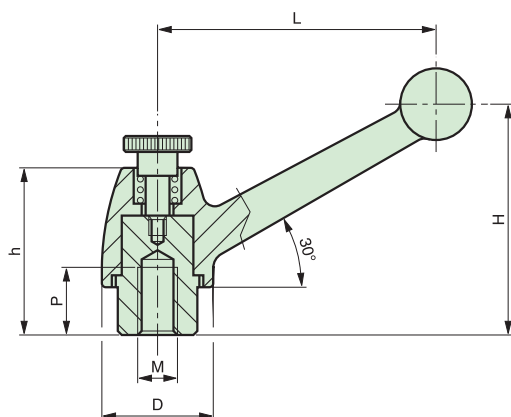


Corpo dentato in acciaio grigio. Leva in lega di zinco.
Steel grey insert. Cast zinc control lever.
Insert en acier gris. Manette en font de zinc.

| cod. | modello | D | H | h | L | M | P | peso gr. |
|---------|----------------|----|----|----|----|-----|----|-------------|
| 7742005 | WZ40/B | 16 | 31 | 22 | 36 | M4 | 9 | 25 |
| 7742010 | WZ40/B | 16 | 31 | 22 | 36 | M5 | 9 | 25 |
| 7742015 | WZ40/B | 16 | 31 | 22 | 36 | M6 | 9 | 25 |
| 7742030 | WZ60/B | 18 | 46 | 32 | 54 | M6 | 13 | 60 |
| 7742035 | WZ60/B | 18 | 46 | 32 | 54 | M8 | 13 | 60 |
| 7742050 | WZ82/B | 26 | 60 | 43 | 71 | M10 | 17 | 150 |
| 7742055 | WZ82/B | 26 | 60 | 43 | 71 | M12 | 17 | 150 |
| 7742070 | WZ102/B | 32 | 72 | 51 | 91 | M14 | 23 | 250 |
| 7742075 | WZ102/B | 32 | 72 | 51 | 91 | M16 | 23 | 250 |

NOTE: Leva verniciata.
Varnishing control lever.
Manette verni.

A richiesta: Leva cromata; inserti a misura.
On request: Chrome plated covering; special insert, hole.
Sur demande: Revêtement chromé; taraudages speciaux.



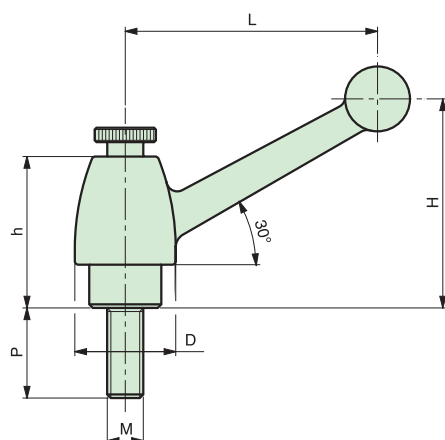
MISURE NON IMPEGNATIVE



WZ/P

Maniglia a ripresa Adjustable clamping lever

Manette débrayable



Corpo dentato in acciaio grigio. Leva in lega di zinco.
Steel grey insert. Cast zinc control lever.
Insert en acier gris. Manette en font de zinc.

| cod. | modello | D | H | h | L | M | P | peso gr. |
|---------|----------------|----|----|----|----|-----|----|----------|
| 7743015 | WZ40/P | 16 | 31 | 22 | 36 | M5 | 30 | 25 |
| 7743045 | WZ40/P | 16 | 31 | 22 | 36 | M6 | 30 | 25 |
| 7743060 | WZ60/P | 18 | 46 | 32 | 54 | M6 | 20 | 60 |
| 7743070 | WZ60/P | 18 | 46 | 32 | 54 | M6 | 30 | 60 |
| 7743090 | WZ60/P | 18 | 46 | 32 | 54 | M8 | 30 | 60 |
| 7743100 | WZ60/P | 18 | 46 | 32 | 54 | M8 | 40 | 60 |
| 7743110 | WZ60/P | 18 | 46 | 32 | 54 | M8 | 50 | 60 |
| 7743135 | WZ82/P | 26 | 60 | 43 | 71 | M10 | 30 | 150 |
| 7743145 | WZ82/P | 26 | 60 | 43 | 71 | M10 | 40 | 150 |
| 7743155 | WZ82/P | 26 | 60 | 43 | 71 | M10 | 50 | 150 |
| 7743165 | WZ82/P | 26 | 60 | 43 | 71 | M10 | 60 | 150 |
| 7743175 | WZ82/P | 26 | 60 | 43 | 71 | M12 | 20 | 150 |
| 7743185 | WZ82/P | 26 | 60 | 43 | 71 | M12 | 30 | 150 |
| 7743195 | WZ82/P | 26 | 60 | 43 | 71 | M12 | 40 | 150 |
| 7743205 | WZ82/P | 26 | 60 | 43 | 71 | M12 | 50 | 150 |
| 7743215 | WZ82/P | 26 | 60 | 43 | 71 | M12 | 60 | 150 |
| 7743240 | WZ102/P | 32 | 72 | 51 | 91 | M14 | 40 | 250 |
| 7743250 | WZ102/P | 32 | 72 | 51 | 91 | M14 | 50 | 250 |
| 7743280 | WZ102/P | 32 | 72 | 51 | 91 | M16 | 40 | 250 |
| 7743290 | WZ102/P | 32 | 72 | 51 | 91 | M16 | 50 | 250 |

NOTE: Leva verniciata.
Varnishing control lever.
Manette verni.

A richiesta: Leva cromata; inserti a misura.
On request: Chrome plated covering; special insert, stud.
Sur demande: Revêtement chromé; filetages spéciaux.

MISURE NON IMPEGNATIVE

E

Maniglia fissa Clamping lever

Manette



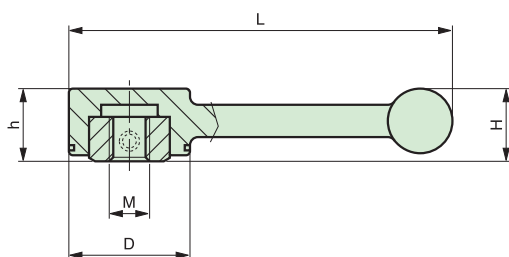
Maniglia in zama, nero, opaco. Pomolo a sfera in Bakelite nera.
Cast zinc clamping lever, black. Black ball knob.

Manette en font de zinc, noire. Poignée en Bakélite noir.

| cod. | modello | D | H | h | L | M | peso gr. |
|---------|-------------|----|----|----|-----|-----|-------------|
| 7744005 | E89 | 28 | 21 | 17 | 89 | M8 | 100 |
| 7744010 | E89 | 28 | 21 | 17 | 89 | M10 | 100 |
| 7744020 | E113 | 34 | 28 | 23 | 113 | M10 | 180 |
| 7744025 | E113 | 34 | 28 | 23 | 113 | M12 | 180 |
| 7744030 | E113 | 34 | 28 | 23 | 113 | M14 | 180 |

NOTE: Leva verniciata.
Varnishing control lever.
Manette verni.

A richiesta: Maniglia in acciaio.
On request: Steel clamping lever.
Sur demande: Manette en acier.



MISURE NON IMPEGNATIVE

NTC/B

Maniglia a ripresa Adjustable clamping lever

Manette débrayable



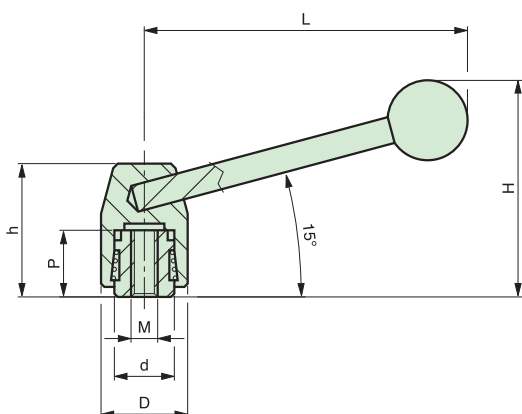
Maniglia interamente in acciaio nero brunito. Pomolo a sfera in Bakelite nera.
All steel black clamping lever. Black ball knob.
Manette entièrement en acier noirci. Poignée en Bakélite noir.

| cod. | modello | D | d | H | h | L | M | P | peso gr. |
|---------|-----------------|----|----|-----|----|-----|-----|----|-------------|
| 7720005 | NTC60/B | 16 | 10 | 40 | 25 | 67 | M5 | 14 | 40 |
| 7720010 | NTC60/B | 16 | 10 | 40 | 25 | 67 | M6 | 14 | 40 |
| 7720020 | NTC80/B | 22 | 14 | 53 | 32 | 84 | M6 | 19 | 100 |
| 7720025 | NTC80/B | 22 | 14 | 53 | 32 | 84 | M8 | 19 | 100 |
| 7720035 | NTC100/B | 26 | 18 | 62 | 38 | 103 | M10 | 21 | 160 |
| 7720040 | NTC100/B | 26 | 18 | 62 | 38 | 103 | M12 | 21 | 160 |
| 7720050 | NTC120/B | 32 | 22 | 75 | 45 | 114 | M14 | 24 | 250 |
| 7720055 | NTC120/B | 32 | 22 | 75 | 45 | 114 | M16 | 24 | 250 |
| 7720065 | NTC140/B | 38 | 28 | 88 | 54 | 148 | M16 | 30 | 420 |
| 7720070 | NTC140/B | 38 | 28 | 88 | 54 | 148 | M18 | 30 | 420 |
| 7720080 | NTC170/B | 45 | 34 | 105 | 66 | 174 | M20 | 40 | 650 |

A richiesta: Maniglia cromata o in acciaio inox (AISI 303). Inserti a misura.

On request: Chrome plated or stainless steel clamping lever. Special insert, hole, stud.

Sur demande: Manette chromée ou en acier inoxydable. Taraudages, filetages et alesages speciaux.



MISURE NON IMPEGNATIVE

NTD

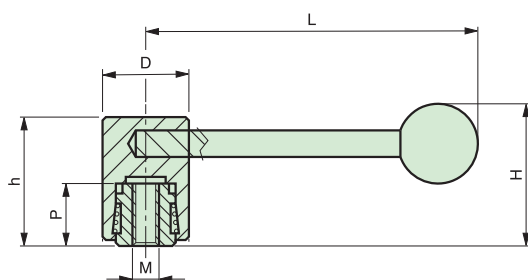
Maniglia a ripresa Adjustable clamping lever

Manette débrayable



Maniglia interamente in acciaio nero. Pomolo a sfera in bakelite nera.
All steel black clamping lever. Black ball knob.
Manette entièrement en acier noirci. Poignée en bakélite noir.

| cod. | modello | D | H | h | L | M | P | peso gr. |
|---------|-----------------|----|----|----|-----|-----|----|-------------|
| 7722005 | NTD60/B | 16 | 26 | 24 | 60 | M5 | 14 | 40 |
| 7722010 | NTD60/B | 16 | 26 | 24 | 60 | M6 | 14 | 40 |
| 7722020 | NTD80/B | 22 | 35 | 33 | 80 | M6 | 18 | 100 |
| 7722025 | NTD80/B | 22 | 35 | 33 | 80 | M8 | 18 | 100 |
| 7722035 | NTD100/B | 26 | 40 | 38 | 100 | M10 | 20 | 160 |
| 7722040 | NTD100/B | 26 | 40 | 38 | 100 | M12 | 20 | 160 |
| 7722050 | NTD120/B | 32 | 46 | 45 | 120 | M14 | 24 | 250 |
| 7722055 | NTD120/B | 32 | 46 | 45 | 120 | M16 | 24 | 250 |
| 7722065 | NTD140/B | 38 | 58 | 54 | 140 | M16 | 30 | 420 |
| 7722070 | NTD140/B | 38 | 58 | 54 | 140 | M18 | 30 | 420 |
| 7722080 | NTD170/B | 45 | 71 | 65 | 170 | M20 | 38 | 650 |



A richiesta: Maniglia cromata o in acciaio inox (AISI 303). Inserti a misura.

On request: Chrome plated or stainless steel clamping lever. Special insert, hole, stud.

Sur demande: Manette chromée ou en acier inoxydable. Taraudages, filetages et alesages speciaux.

MODELLO DEPOSITATO